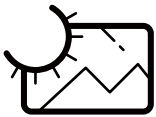


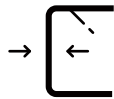
DS SERIES

DS431LT4-1

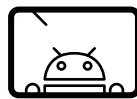
43" 2500 nits High Brightness Digital Signage Display



SUNLIGHT
VIEWABLE IMAGE



NARROW
BEZEL



BUILT-IN
MEDIA PLAYER



TRUECOLOR™
CALIBRATED



LOW POWER
CONSUMPTION

Android is a trademark of Google LLC.

The Android robot is reproduced or modified from work created and shared by Google and used according to terms described in the Creative Commons 3.0 Attribution License.

FOR MORE INFORMATION

For more information about DynaScan, visit our website at www.dynascan.com. Copyright © DynaScan Technology Inc. All rights reserved. All specifications and descriptions are subject to change without notice. Reproduction without permission is prohibited.

DynaScan

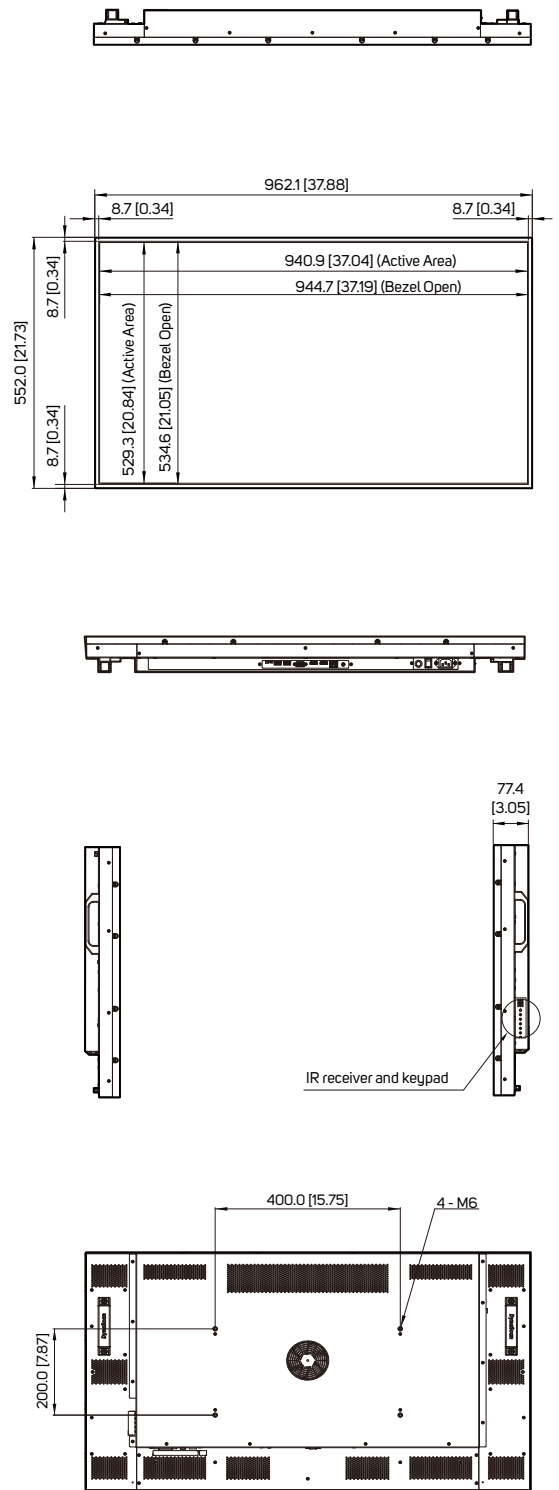
V1.00

SPECIFICATION

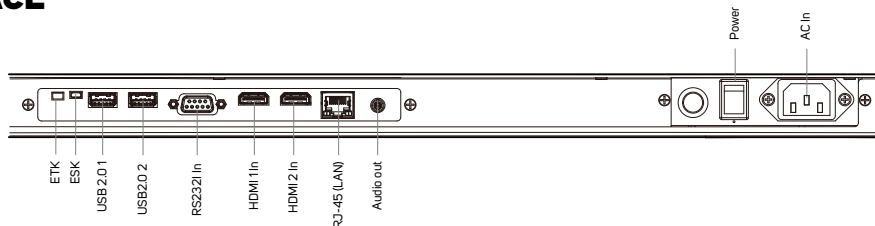
MODEL	DS431LT4-1	
PANEL	LCD Panel Size	42.5"
	Native Resolution	1920 x 1080
	Brightness	2500 nits
	Color Depth	8 bits
	Contrast Ratio	4000:1
	Response Time (Typ.)	8 ms
	Viewing Angle	178° / 178°
POWER	Light Lifetime (Typ.)	100,000 hrs
	Power Supply	Internal
	Rated Voltage	100-240V ~ 50/60HZ
	Power Consumption (Max.)	220 W
MECHANICAL SPECS	Power Saving Mode	< 1 W
	Bezel Width (T/B/L/R)	8.7 / 8.7 / 8.7 / 8.7 mm
	Cabinet Color	Black
	Monitor Dimension (LxHxD)	962.1 x 552.0 x 77.4 mm
	Monitor Weight	18.1 kg
	Orientation	Portrait / Landscape
	VESA Mounting (LxH)	400 x 200 mm
FEATURE	Carrying Handles	Yes
	Language	English
	Support SNMP (Up to V3.0)	Yes
	Image Retention Protection	Yes
	Auto Orientation Sensor	Yes
	Ambient Light Sensor	Yes
	Power On/Off Scheduling	Yes
INPUT	OSD Menu Rotation	Yes
	HDMI 2.1 (HDCP 2.2)	x2 (1080p recommended)
	USB 2.0	x2
OUTPUT	Audio	x1
	RS-232	In x1
EXTERNAL CONTROL	RJ-45	x1 (LAN)
	ETK Port (Thermal)	x1
	ESK Port (IR, Ambient)	x1
ENVIRONMENT	Operating Temperature	0°~ 45° C
	Storage Temperature	-20°~60° C
	Humidity	10% ~ 80% RH Non-condensing
INTERNAL PLAYER	Operating System	Android 11.0
	Processor	Quad-core A53
	Clock Speed	1.5GHz
	Main Memory Interface	DDR4, 2GB
	Graphics	Mali G52
	Storage	Internal: 8GB eMMC Flash
ACCESSORY	Multimedia	4K video decoders, 30/60fps H.264 /VP9 10bit, MPEG-1/2/4
	Quick Start Guide. Power Cord. Remote Control. Batteries. IR & Ambient Sensor	
CERTIFICATION	CE / CB / FCC / ETL / RCM / RoHS / PSE	

DIMENSIONS

Unit: mm [inch]



INTERFACE



FOR MORE INFORMATION

For more information about DynaScan, visit our website at www.dynascan.com. Copyright © DynaScan Technology Inc. All rights reserved. All specifications and descriptions are subject to change without notice. Reproduction without permission is prohibited.