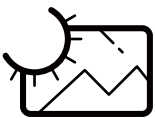


DS SERIES

DS491LT5-2

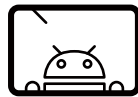
49" Fanless High Brightness Digital Signage Display



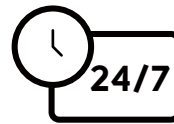
**SUNLIGHT
VIEWABLE IMAGE**



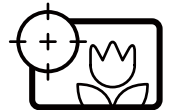
FANLESS



**BUILT-IN
MEDIA PLAYER**



**24 / 7
OPERATION**



**TRUECOLOR™
CALIBRATED**

Android is a trademark of Google LLC.
The Android robot is reproduced or modified from work created and shared by Google and used according to terms described in the Creative Commons 3.0 Attribution License.

FOR MORE INFORMATION

For more information about DynaScan, visit our website at www.dynascan.com. Copyright © DynaScan Technology Inc. All rights reserved. All specifications and descriptions are subject to change without notice. Reproduction without permission is prohibited.

DynaScan

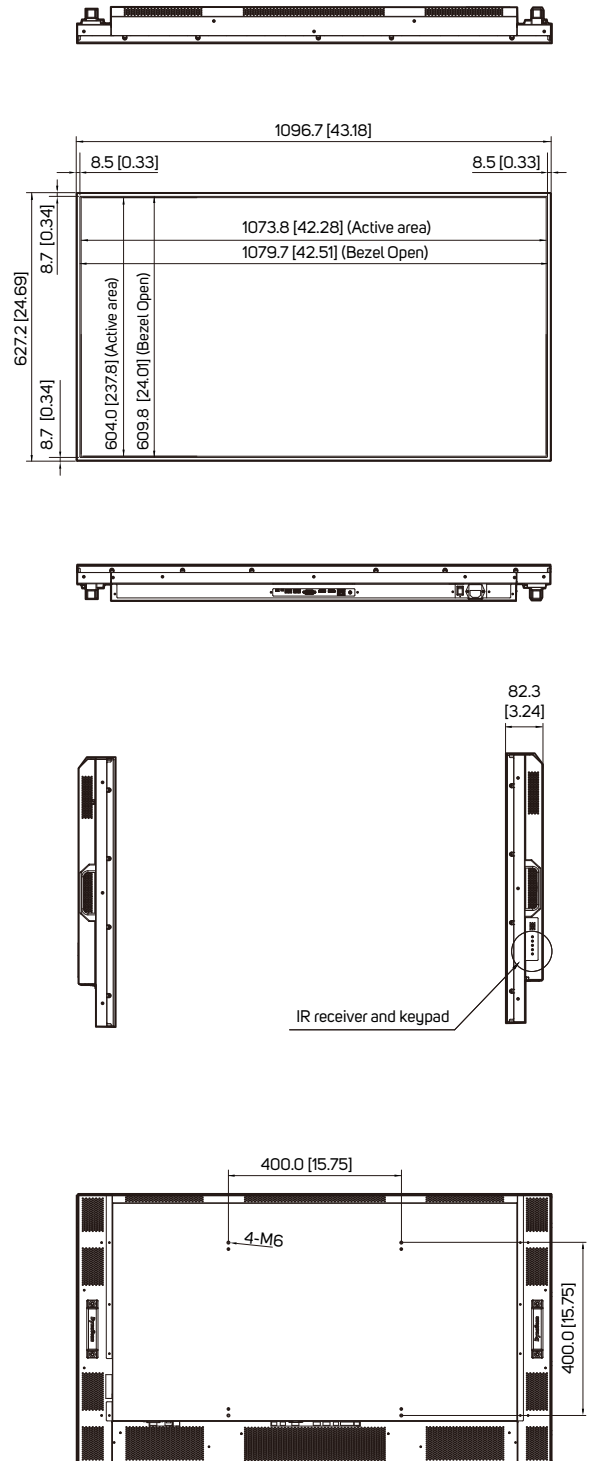
V1.00

SPECIFICATION

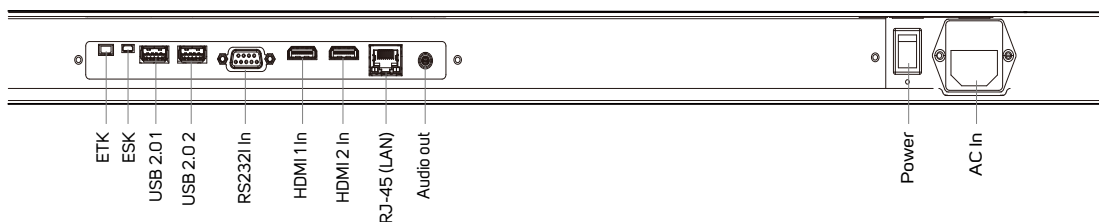
MODEL	DS49ILT5-2	
PANEL	LCD Panel Size	48.5"
	Native Resolution	1920 x 1080
	Brightness	4000 nits
	Color Depth	10 bits
	Contrast Ratio	3000 : 1
	Response Time (Typ.)	8 ms (Typ.)
	Viewing Angle	178° / 178°
	Light Lifetime (Typ.)	100,000 hrs
POWER	Polarized Sunglasses Support	Yes
	Power Supply	Internal
	Rated Voltage	100-240V ~ 50/60HZ
	Power Consumption (Typ./Max.)	110 W / 240 W
MECHANICAL SPECS	Power Saving Mode	< 0.5 W
	Bezel Width (T/B/L/R)	8.7 / 8.7 / 8.5 / 8.5 mm
	Cabinet Color	Black
	Monitor Dimension (LxHxD)	1096.7 x 627.2 x 82.3 mm
	Monitor Weight	19.6 kg
	Orientation	Portrait / Landscape
	VESA Mounting (LxH)	400 x 400 mm
	Carrying Handles	Yes
	Fanless Design	Yes
	FEATURE	Language
Support SNMP (Up to V3.0)		Yes
Image Retention Protection		Yes
Auto Orientation Sensor		Yes
Ambient Light Sensor		Yes
Power On/Off Scheduling		Yes
OSD Menu Rotation		Yes
INPUT	HDMI 2.1 (HDCP 2.3)	x2
	USB 2.0	x2
OUTPUT	Audio	x1
EXTERNAL CONTROL	RS-232	In x1
	RJ-45	x1 (LAN)
	ETK Port (Thermal)	x1
	ESK Port (IR, Ambient)	x1
ENVIRONMENT	Operating Temperature	0°~ 45° C
	Storage Temperature	-20°~60° C
	Humidity	10% ~ 80% RH Non-condensing
INTERNAL PLAYER	Operating System	Android 11.0
	Processor	Quad-core A53
	Clock Speed	1.5GHz
	Main Memory Interface	DDR4, 2GB
	Graphics	Mali G52
	Storage	Internal: 8GB eMMC Flash
	Multimedia	4K video decoders, 30/60fps H.264 /VP9 10bit, MPEG-1/2/4
ACCESSORY	Quick Start Guide. Power Cord. Remote Control. Batteries. IR & Ambient Sensor	
CERTIFICATION	CE / CB / FCC / ETL / RCM / RoHS / PSE	

DIMENSIONS

Unit: mm [inch]



INTERFACE



FOR MORE INFORMATION

For more information about DynaScan, visit our website at www.dynascan.com. Copyright © DynaScan Technology Inc. All rights reserved. All specifications and descriptions are subject to change without notice. Reproduction without permission is prohibited.